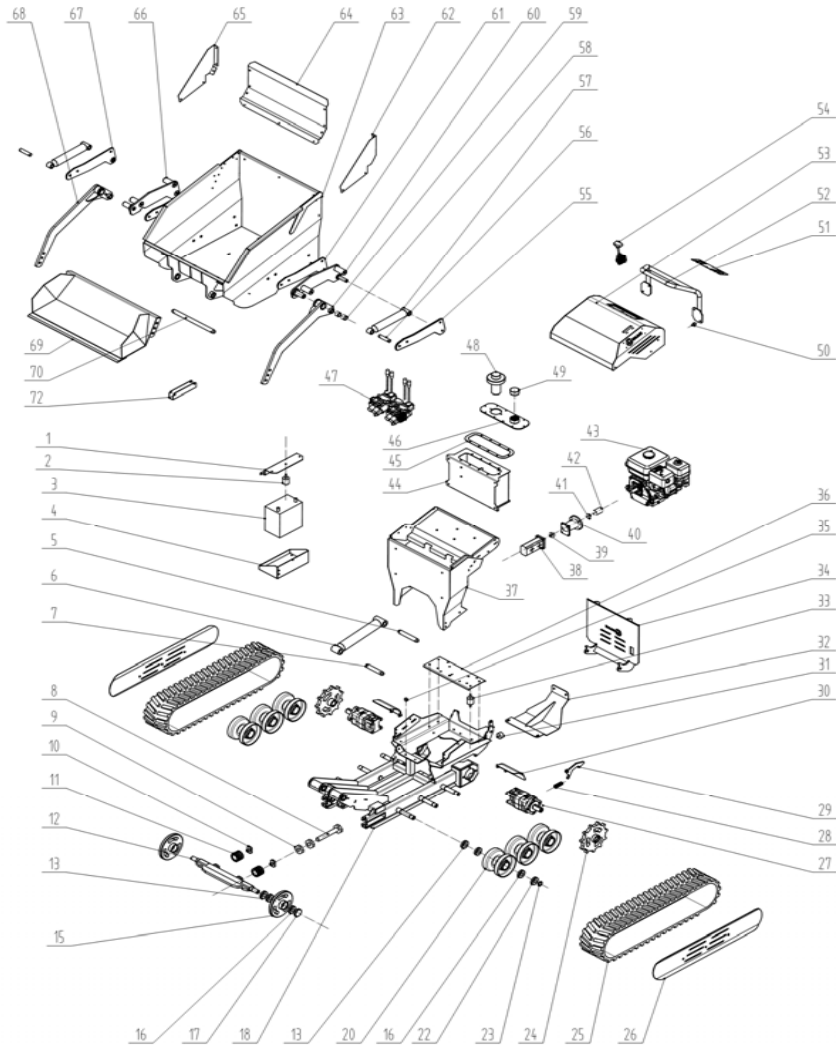
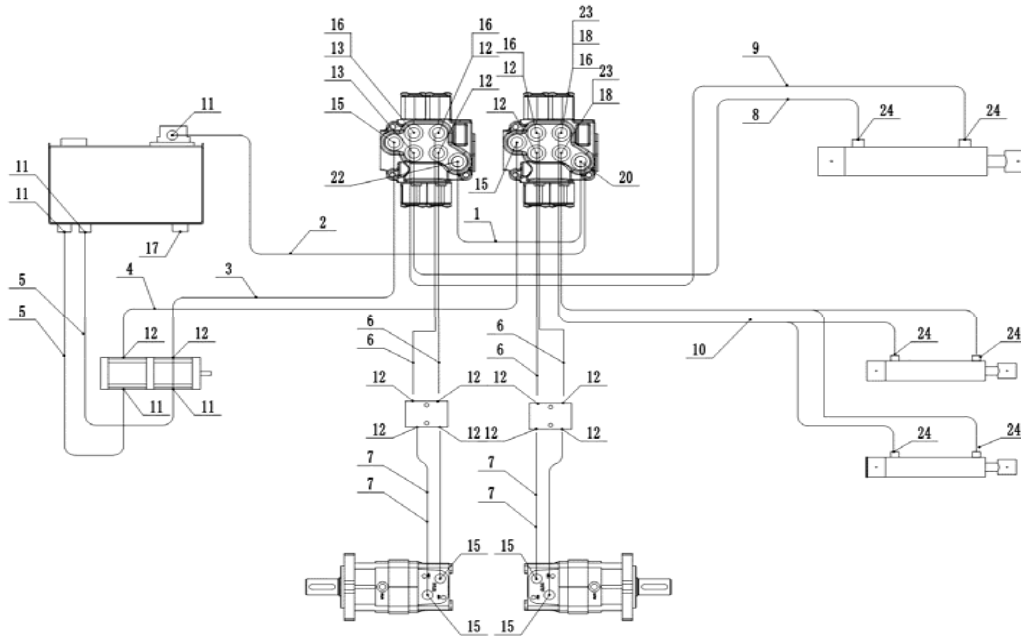


# Ersatzteilkatalog VH 500A / VH 500PROA



ITEM	DESCRIPTION	QUANTITY	PRICE EURO	ITEM	DESCRIPTION	QUANTITY	PRICE EURO
1	BATTERY PROTECTION	1	8	55	LEFT PLATE	1	11
2	ANTIVIBRATION FOOT	1	2,1	56	PIN	2	4
3	BATTERY	1	70	57	PISTON	2	85
4	BATTERY SUPPORT	1	30	58	BUSHING	4	1,45
5	PIN	1	5	59	LEFT ARM	1	42
6	CILINDER	1	95	60	LEFT ARM SUPPORT	1	35,5
7	PIN	1	5	61	COUNTERPLATE	2	11
8	M24 BOLT	2	4	62	DUMPER TOP PROTECTION LEFT	1	8
9	M24 NUT	4	0,9	63	DUMPER BOX	1	220
10	SPRING BASE	2	4,5	64	DUMPER TOP PROTECTION CENTER	1	12
11	TENSIONER SPRING	2	8	65	DUMPER TOP PROTECTION RIGHT	1	8
12	TENSIONER SHAFT	1	55	66	RIGHT ARM SUPPORT	1	35,5
13	OIL SEAL	8	0,75	67	RIGHT PLATE	1	11
15	IDLE WHEEL	2	18,5	68	RIGHT ARM	1	42
16	BALL BEARING	16	0,96	69	BUCKET	1	75
17	OIL CAP	2	1,05	70	PIN	1	8,5
18	UNDERCARRIAGE	1	280	72	SAFETY BAR	1	8
20	ROLLER	6	17,5	73	HOUR METER	1	14
22	OIL SEAL	6	0,75				
23	SEEGER	6	0,15				
24	TRACTION WHEEL	2	22,5				
25	RUBBER TRUCK	2	101,5				
26	WHEEL FENDER (L+R)	2	20				
27	HYDRAULIC MOTOR	2	188,5				
28	STANDING PLATFORM SPRING	1	2,5				
29	STANDING PLATFORM HOOCK	1	8				
30	RUBBER TRUCK PROTECTION	2	8				
31	ANTIVIBRTATION FOOT	2	2,1				
32	HYDRAULIC MOTOR PROTECTION	1	15				
33	ANTIVIBRATION CILINDER	4	1,9				
34	STANDING PLATFORM	1	24				
35	ANTIVIBRATION FOOT	4	1,8				
36	ENGINE PLATFORM	1	9				
37	TURRET	1	160				
38	HYDRAULIC PUMP	1	163,5				
39	PUMP CONNECTOR	1	9				
40	PUMP BELL HOUSE	1	25,8				
41	RUBBER JOINT	1	3				
42	ENGINE CONNECTOR	1	9				
43	ENGINE	1	INQUIRY				
44	OIL TANK	1	60				
45	GASKET	1	4				
46	TANK CAP	1	8				
47	SPOOL VALVE	2	96				
48	FILTER	1	26,4				
49	OIL CAP	1	3,9				
50	ANTIVIBRATING CILINDER	4	1,2				
51	CONTROL PANNEL COVER	1	4				
52	HAND RAILS	1	15				
53	CONTROL PANNEL	1	80				
54	THROTTLE	1	20,4				

# Ersatzteilkatalog VH 500A / VH 500PROA



ITEM	DESCRIPTION	QUANTITY	PRICE EURO
1	SPOOL VALVE OUTLET CONNECTION HOSE	1	8,7
2	SPOOL VALVE FILTER HOSE	1	9,2
3	PUMP SPOOL VALVE HOSE	1	11,5
4	PUMP SPOOL VALVE HOSE	1	11,5
5	OIL TANK PUMP HOSE	2	9,5
6	SPOOL VALVE LOCK VALVE HOSE	4	9,5
7	LOCK VALVE HYDRAULIC MOTOR HOSE	4	10,8
8	SPOOL VALVE TIPPING CILINDER HOSE	1	18
9	SPOOL VALVE TIPPING CILINDER HOSE	1	18
10	SPOOL VALVE BUCKET HOSE	4	18,6
11	1/2"-1/2" NIPPLES	5	0,9
12	3/8"-3/8" NIPPLES	14	0,85
13	NIPPLES 3/8x1/4 GAS	2	0,9
15	NIPPLES. 1/2x3/8	6	0,95
16	SPACER GAS 3/8 L=35	5	1,5
17	CUP 1/2	1	0,9
18	CUP 3/8	2	0,8
20	DOUBLE BOLT GAS 1/2	1	2,1
22	SINGLE BOLT GAS 1/2	1	1,5
23	DOUBLE BOLT GAS 3/8	2	1,9
24	SINGLE BOLT GAS 1/4	6	1,4