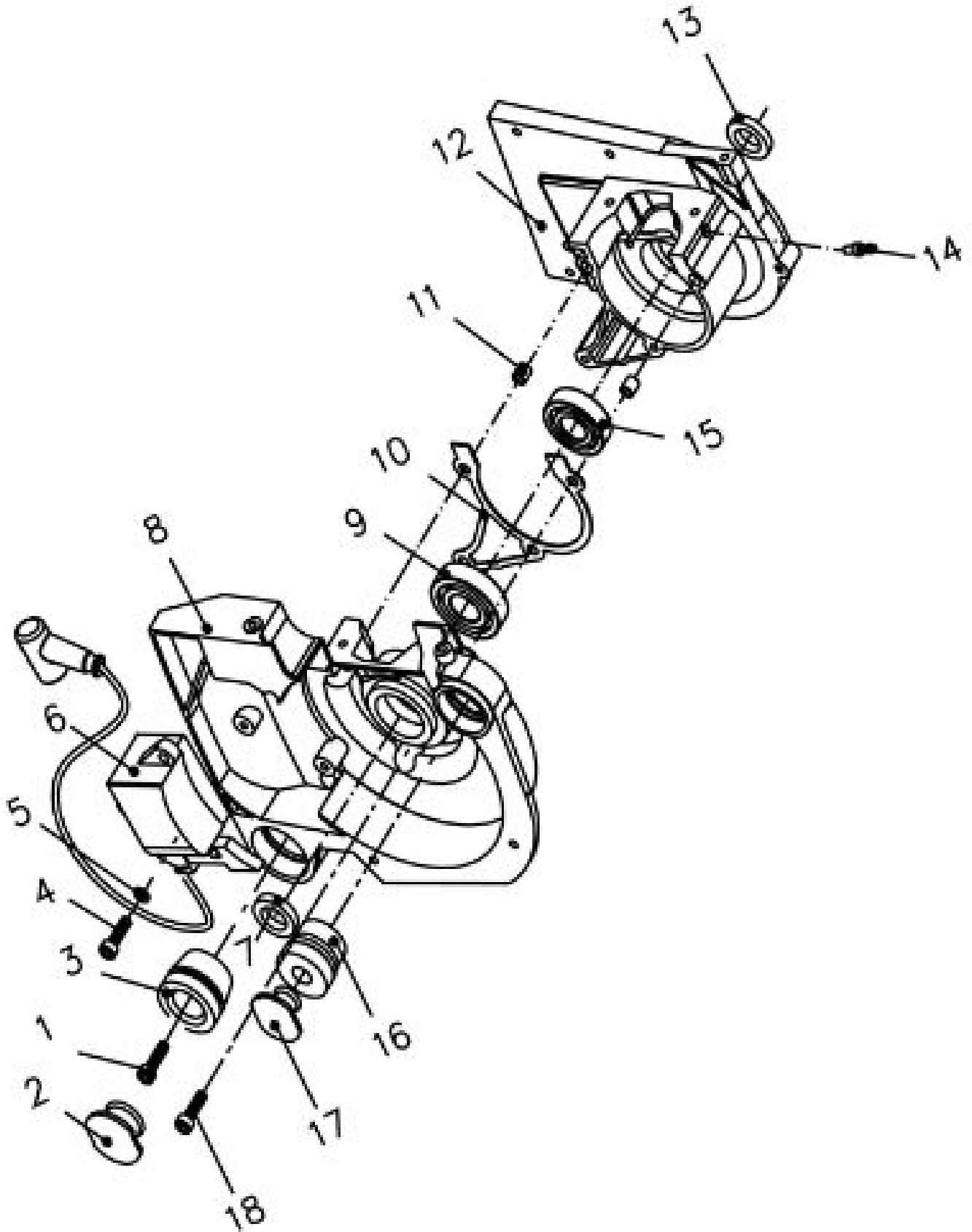
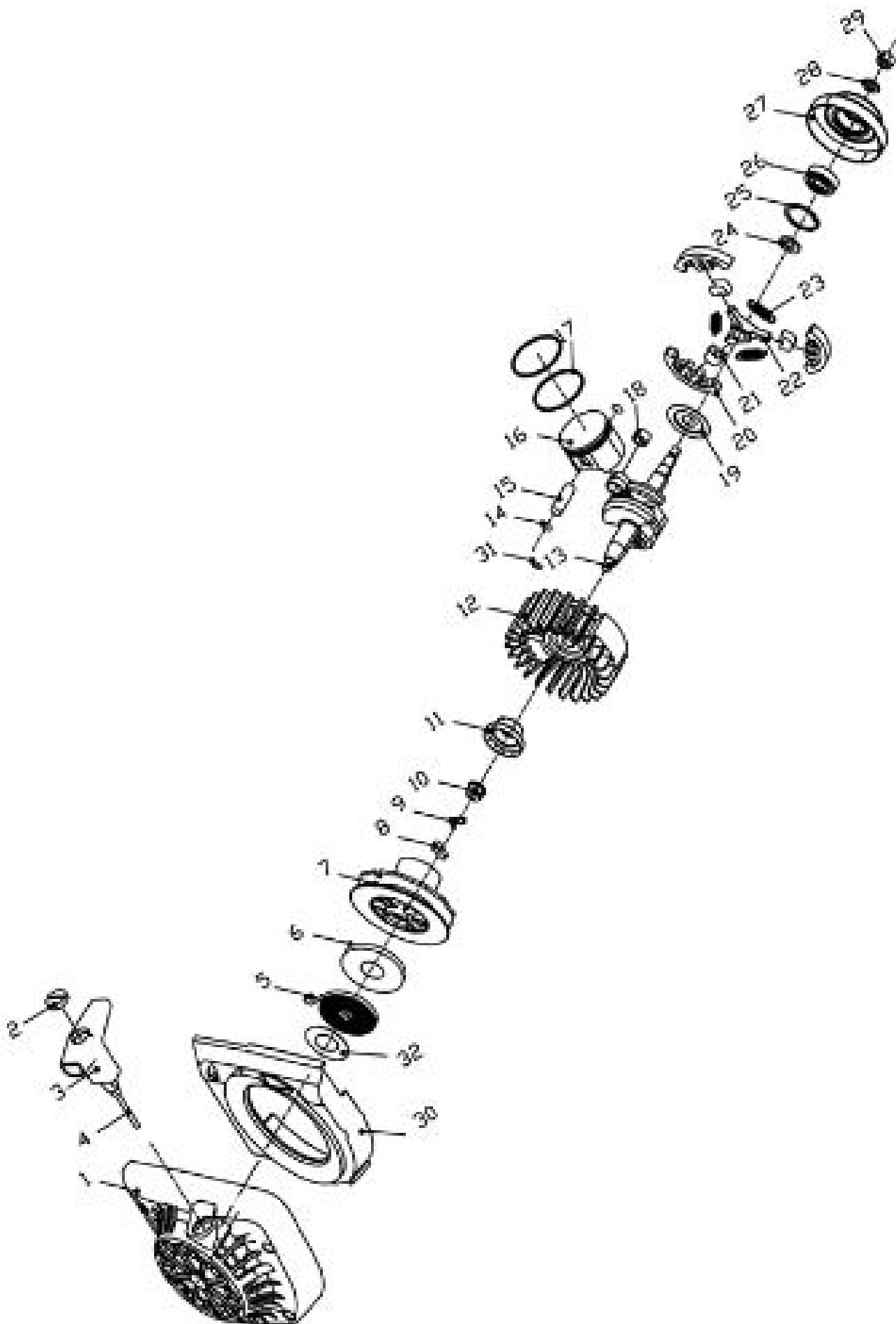


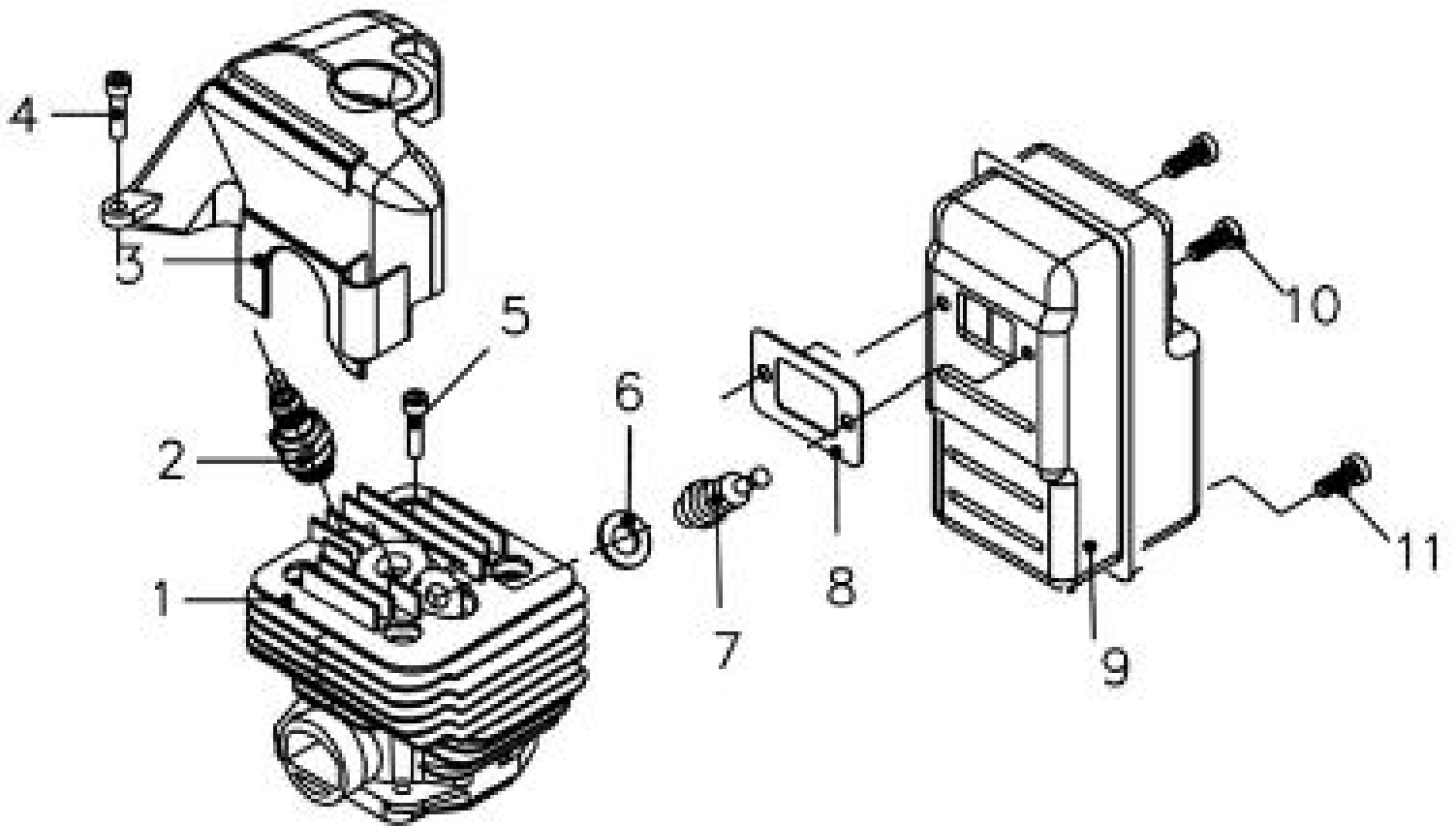
# 1. Crankshaft Housing Assembly



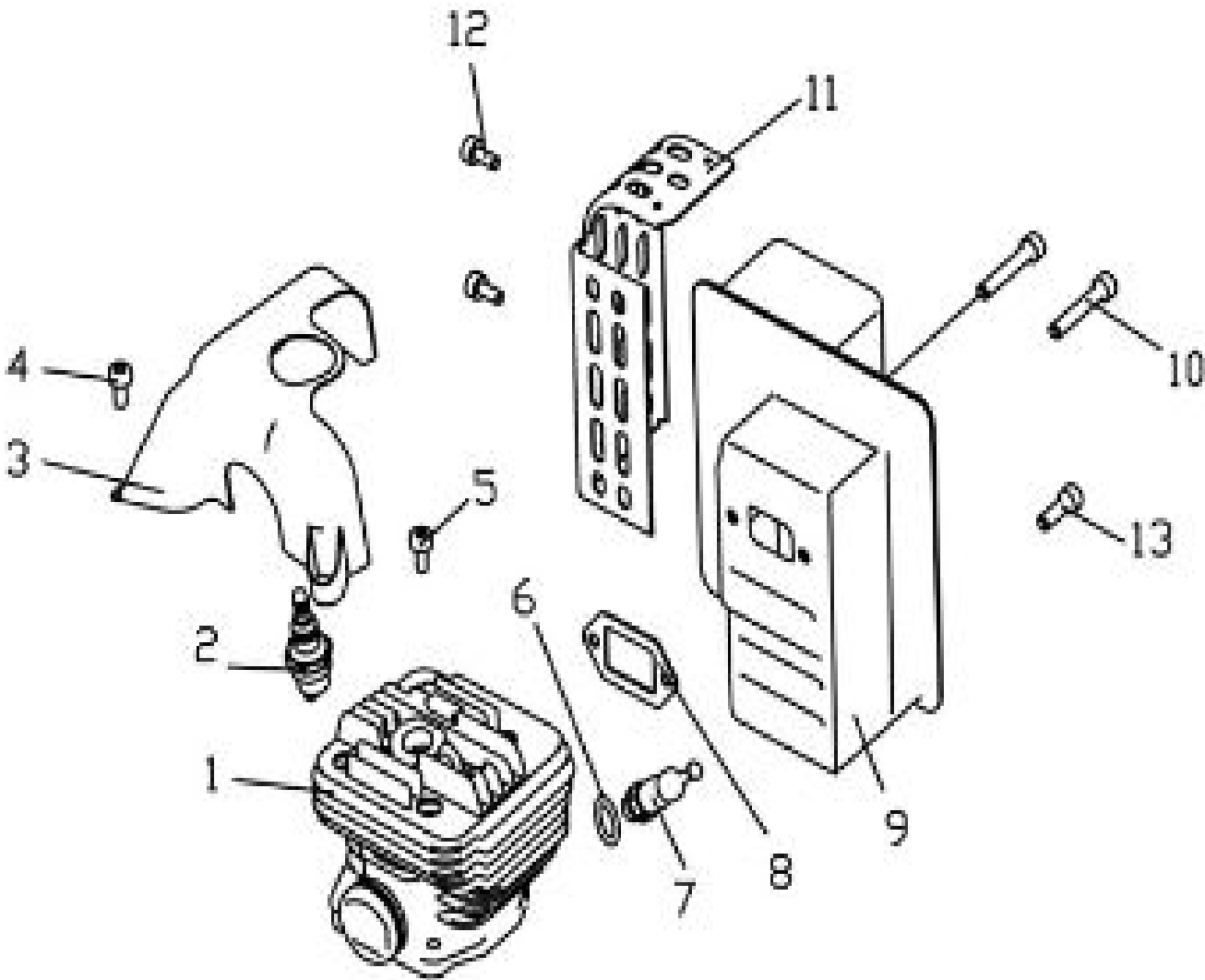
## 2. Crankshaft & Piston Assembly



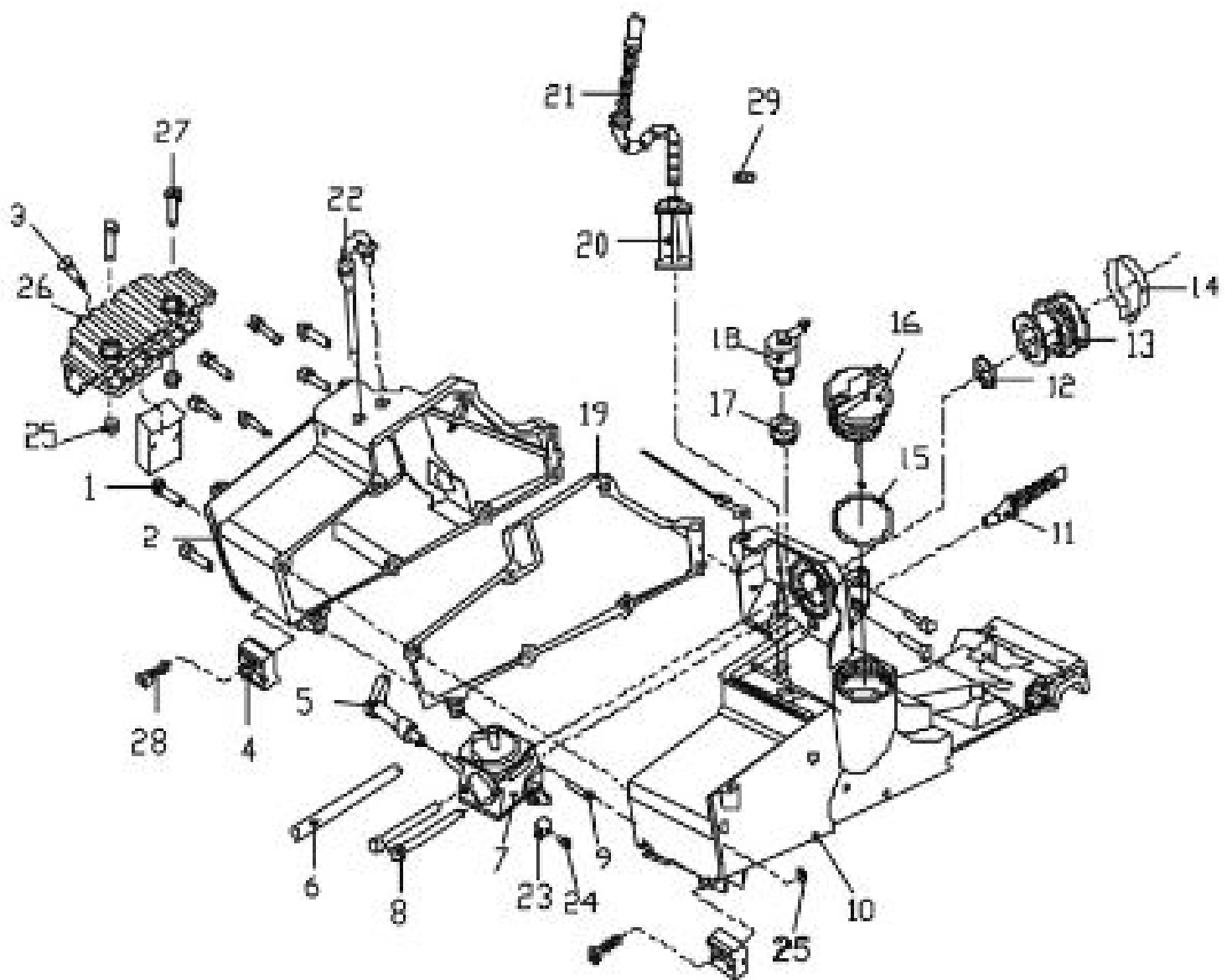
### 3A. Cylinder & Muffler Assembly (common)



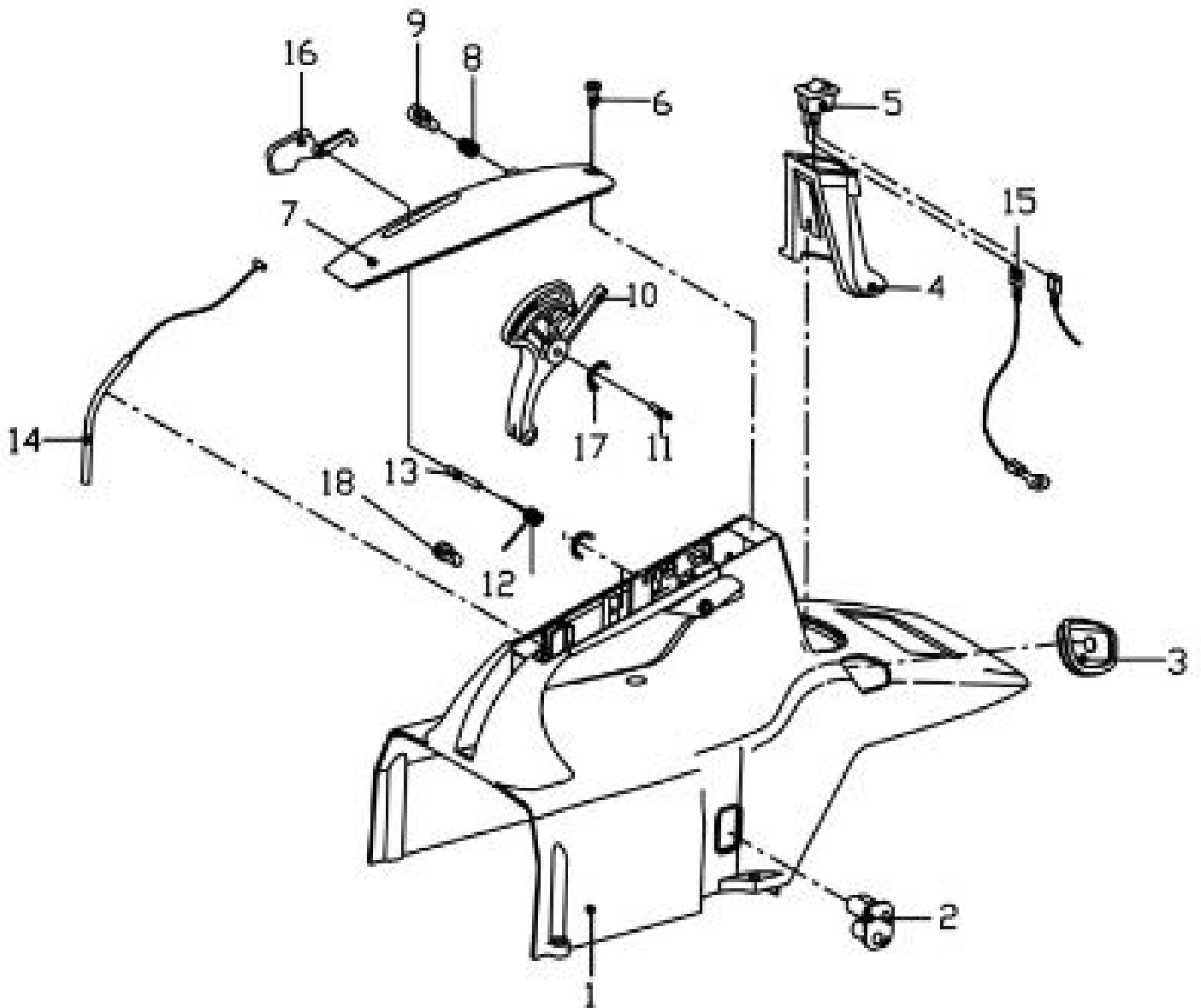
**3B. Cylinder & Muffler Assembly (EPA)**



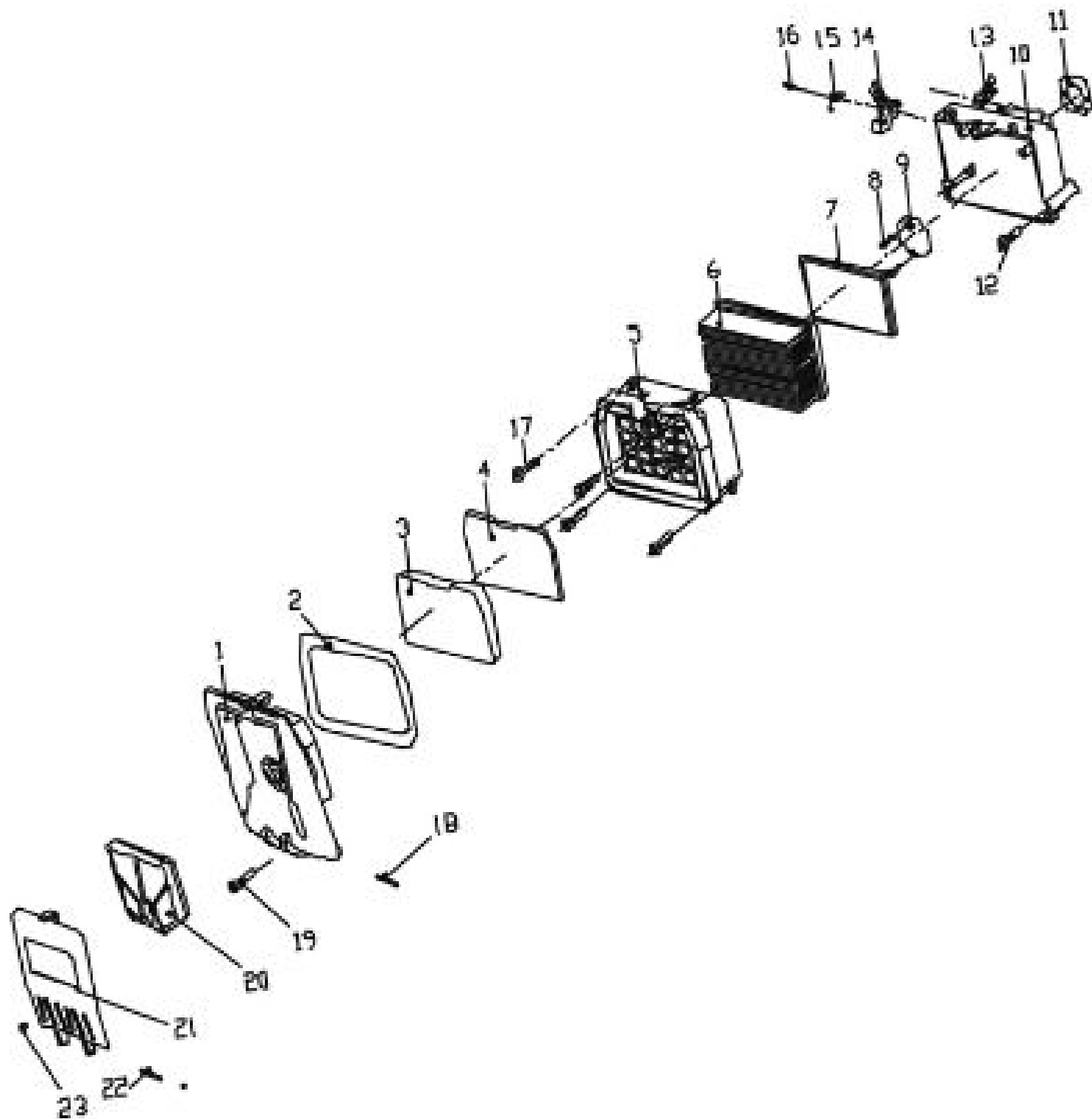
## 4. Oil Tank & Carburetor



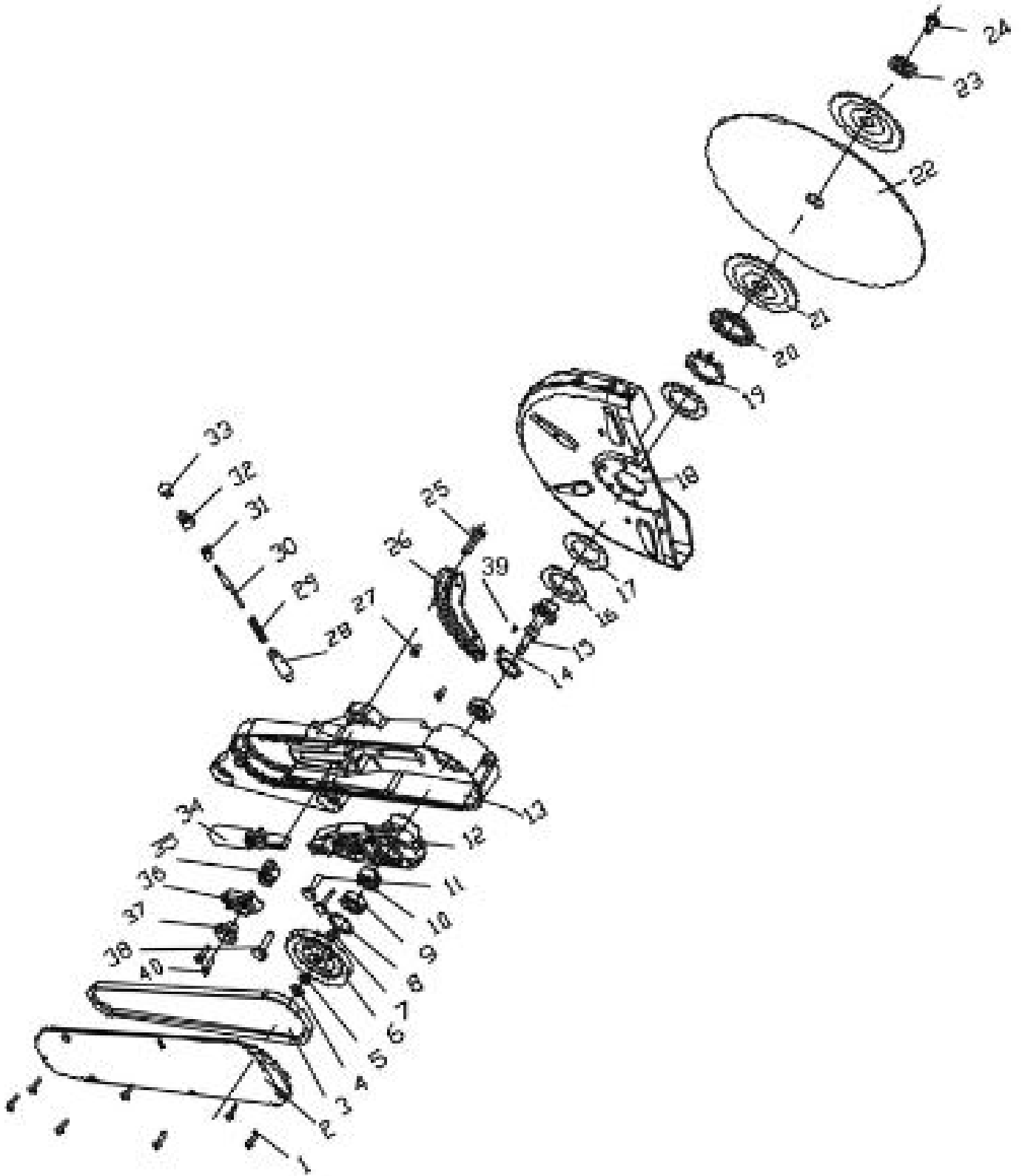
## 5. Handle & Main Cover Assembly



## 6. Air Filter Assembly



## 7. Transmission Box & Cutter Assembly





## 8. Front Handle & Support Assembly

