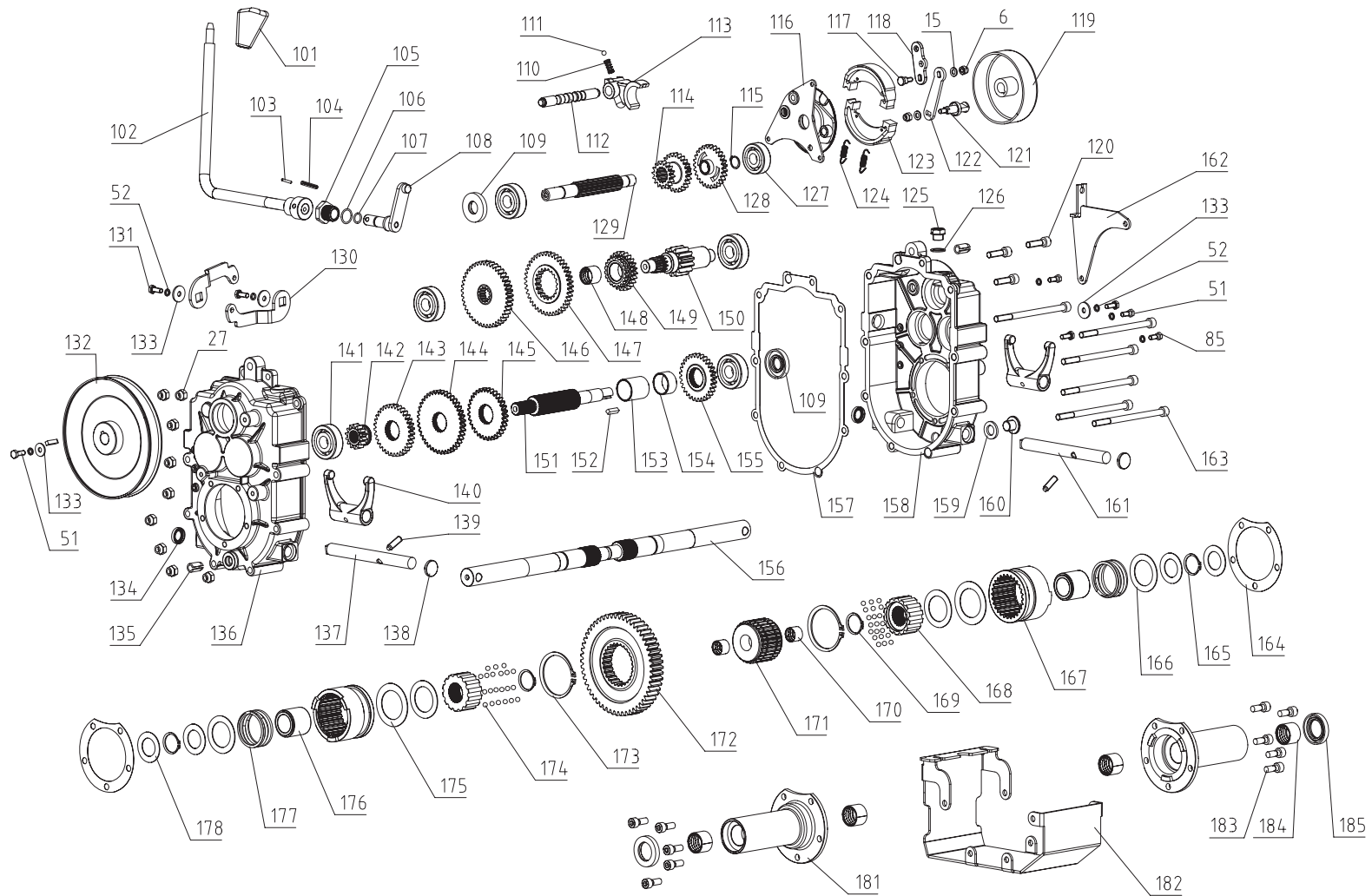


**MD300R / T1**



**MD300R / T2**