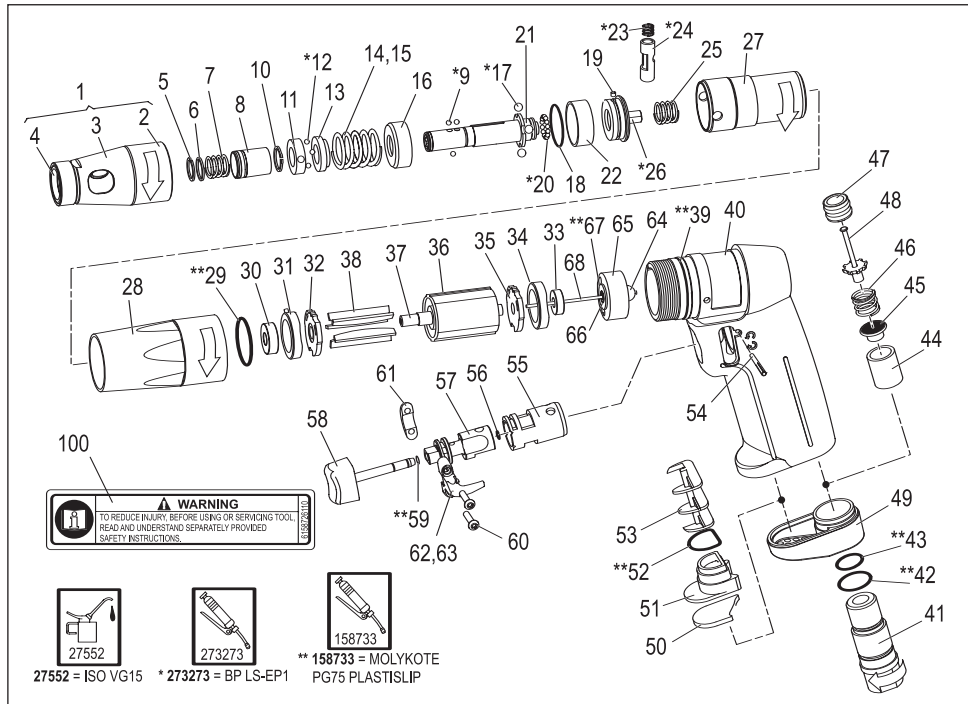


CP2005



Item	Part No.	Description	Qty.	Item	Part No.	Description	Qty.	Item	Part No.	Description	Qty.
1	2050480843	Clutch Case	1	24	2050481583	Latch Pin	1	49	307763	Exhaust Cap	1
2	2050480043	Module, complete	1	25	301013	Spring	1	50	307793	Diffuser Element	1
3	443643	Cover, clutch adjustment	1	26	443513	Cam, clutch	1	51	307753	Element Retainer	1
4	443753	Bearing, plain	1	27	2050481243	Gearbox Module	1	52	268513	'O' Ring	1
5	443773	Circlip	1	28	2050480163	Housing, gearbox	1	53	311283	Exhaust Helix	1
6	2050481893	Ring	1	29	315263	'O' Ring	1	54	458933	Pin	1
7	301013	Spring	1	30	33433	Bearing	1	55	2050482013	Valve Sleeve	1
8	2050481863	Sleeve	1	31	458993	Housing, front bearing	1	56	2050481623	Clip	1
9	280313	Ball	3	32	2050481543	Plate, front bearing	1	57	2050482023	Valve	1
10	347733	Circlip	1	33	8843	Bearing	1	58	458913	Actuator Shaft and Button Assy.	1
11	443543	Ring, adjusting	1	34	475203	Housing, rear bearing	1	59	308653	'O' Ring	1
12	280313	Ball	4	35	2050481533	Plate, rear bearing	1	60	462233	Screw	2
13	2050481853	Ring, locking	1	36	285503	Cylinder	1	61	2050482043	Clamp	1
14	461913	Spring, clutch (1.5 - 4.7 Nm)	1	37	285323	Rotor, 9T	1	62	467703	Spring Plunger	1
15	443523	Spring, clutch (0.4 - 2.5 Nm)	1	38	461613	Blade, rotor	5	63	462893	Actuator	1
16	301253	Cup, ball	1	39	203423	'O' Ring	1	64	252393	Ball, Nitrile	1
17	182493	Ball	4	40	2050480133	Pistol Grip	1	65	2050482053	Valve Seat	1
18	239753	'O' Ring	1	41	2050481753	Air Inlet Bolt	1	66	458973	Valve Stem	1
19	301283	Roller	1	42	99853	'O' Ring	1	67	320413	'O' Ring	1
20	280313	Ball	14	43	54213	'O' Ring	1	68	2050482063	Push Rod	1
21	443563	Spindle, clutch	1	44	2050481633	Spacer	1	100	6158726110	Warning Label	1
22	2050481593	Retaining Sleeve	1	45	500933	Air Strainer	1				
23	307123	Spring	1	46	501103	Spring	1				
				47	345163	Valve Seat	1				
				48	349403	Valve Sub-Assy.	1				

